



SPECIFICATION SHEET

Model #:	_____	Qty:	_____
Project #:	_____		
Consultant:	_____		

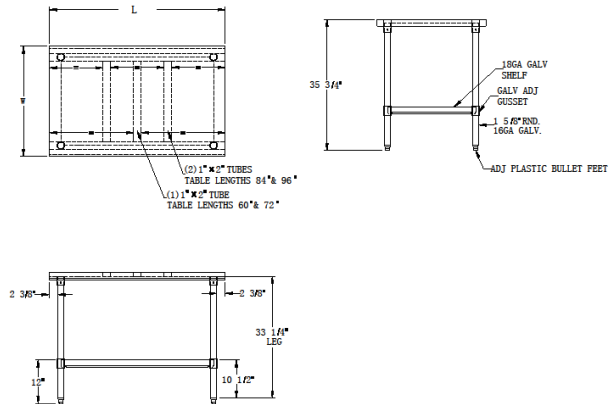
QUALITY FOOD SERVICE EQUIPMENT

ECONOMY WORK TABLE



DIMENSIONS

flat top



MATERIAL

- ◆ 18GA 430 stainless steel top
- ◆ Galvanized lower shelf
- ◆ Galvanized legs
- ◆ Plastic bullet feet

FEATURES

- ◆ Straight safety turn down on all sides
- ◆ Adjustable lower shelf
- ◆ Adjustable bullet feet (*has 6 legs)

Model#	Length	Width
TG-2424	24"	24"
TG-3024	30"	24"
TG-3030	30"	30"
TG-3618	36"	18"
TG-3624	36"	24"
TG-3630	36"	30"
TG-4818	48"	18"
TG-4824	48"	24"
TG-4830	48"	30"
TG-6018	60"	18"

Model#	Length	Width
TG-6024	60"	24"
TG-6030	60"	30"
TG-7218	72"	18"
TG-7224	72"	24"
TG-7230	72"	30"
TG-8424*	84"	24"
TG-8430*	84"	30"
TG-9618*	96"	18"
TG-9624*	96"	24"
TG-9630*	96"	30"

(609) 642-8389 | sales@nbreqquipment.com | www.nbreqquipment.com